

ZKAIO1000

All in One Biometric Android POS Terminal

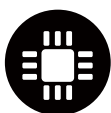


Features

- Android 5.1 Operating System
- ARM Cortex-A7 CPU
- Exquisite streamline design
- Black and white is optional
- 10.1 true-flat display
- Multi-point projected capacitive touch screen
- Built-in 58mm thermal printer
- Easy-removable module design



Built-in Printer



ARM Cortex-A7



1G RAM



10.1 inch TFT



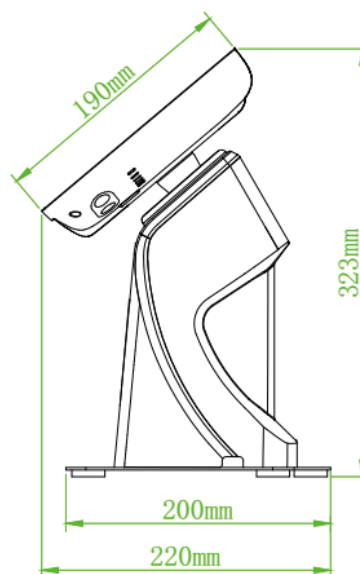
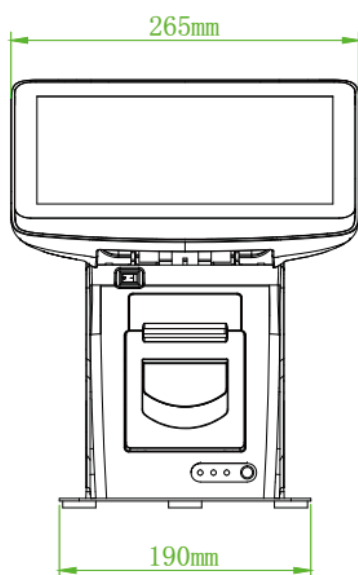
WIFI



Multi-point

Specification

Main Board	
CPU	ARM Cortex-A7
RAM	1GB (Optional 2GB)
OS	Android 5.1/ Linux
Display	
Type	10.1" TFT LCD
Resolution	1366x768 Pixel
Touch screen	Multi-point projected capacitive touch screen
Memory	
Internal memory	4GB Flash Memory (Optional 8GB)
External I/O ports	
Serial port	1 × RS232
USB port	2 × USB 2.0
OTG port	1 × micro USB 2.0
LAN port	1 × RJ-45 (10 / 100M)
Cash drawer	1 × RJ-11 (12 V)
Peripherals	
Built-in Printer	58mm thermal printer with 90mm/s Speed
WiFi	Support 802.11 b / g / n
Speaker	2W
Others	
Power Supply	12V adaptor
Wall-hanging	VESA stand
Color	Black/White
Dimension	263X170X303 (mm)
Optional equipment	
Customer display	8C LED customer display/4.3 inch LCD customer display



ZKTECO CO.,LTD.
www.zkteco.com
 E-mail: sales@zkteco.com

© Copyright 2017. ZKTECO CO.,LTD. ZKTeco Logo is a registered trademark of ZKTeco or a related company. All other product and company names mentioned are used for identification purposes only and may be the trademarks of their respective owners. All specifications are subject to change without notice. All rights reserved.

